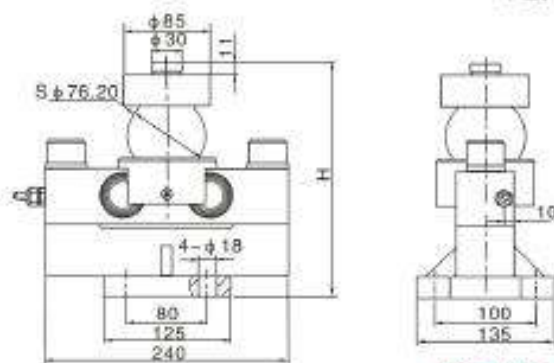
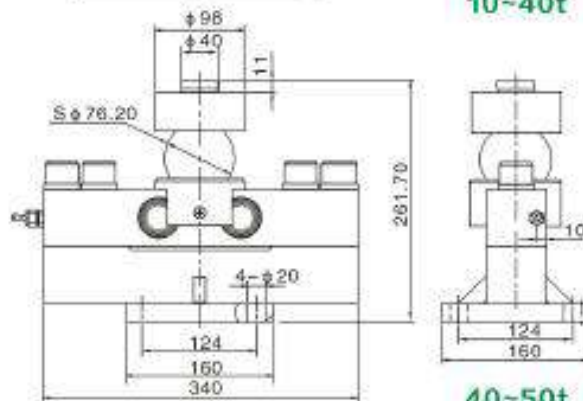


应用于汽车衡、轨道衡、料斗秤。 Car weigher, orbit weigher, hopper weighing

外形图和外形尺寸 Appearance Picture & Capacity and Size


Cap (t)	H
10-30	225.2
40	229.7

单位: mm

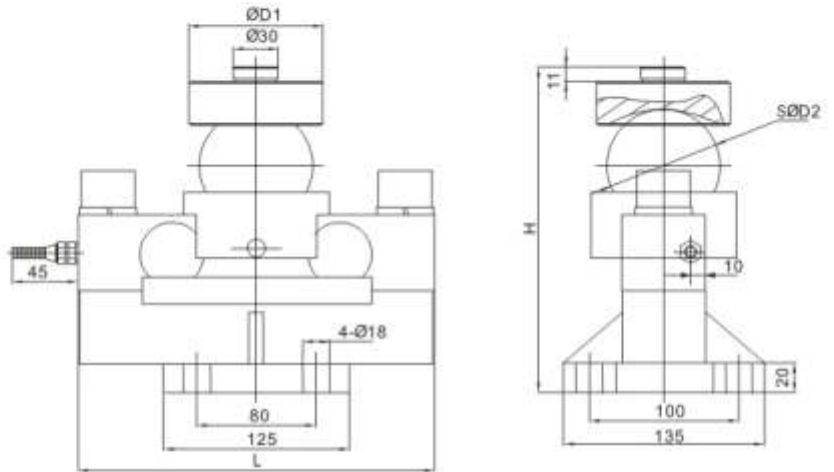

10-40t

40-50t
接线方式 Mode of Connection

技术参数 Technical Parameter

额定载荷 Rated Load	10t, 15t, 20t, 25t, 30t, 40t, 50t
灵敏度 Sensitivity	2.0000±0.001mV/V
综合误差 Total Error	±0.02%F.S
蠕变 Creep(30minutes)	±0.02%F.S
推荐工作电压 Recommended Excitation Voltage	5V~18V(AC or DC)
最大工作电压 Maximum Excitation Voltage	24V(AC or DC)
零点平衡 Zero Balance	±1%F.S
输入阻抗 Input Impedance	775±5Ω
输出阻抗 Output Impedance	700±2Ω
绝缘阻抗 Insulation Impedance	≥5000MΩ
安全过载率 Safe Overload	150%F.S
极限过载率 Ultimate Overload	200%F.S
工作温度范围 Operating Temperature Range	(-30~+70)℃
温度补偿范围 Compensated Temperature Range	(-20~+60)℃
输出温度影响 Temperature Effect On Load	±0.02%F.S/10℃
零点温度影响 Temperature Effect On Zero	±0.02%F.S/10℃
材质 Construction	合金钢 Alloy Steel
防护等级 Protection Class	IP67 & IP68
引用标准 Citation	GB/T7551-2008/OIML R60

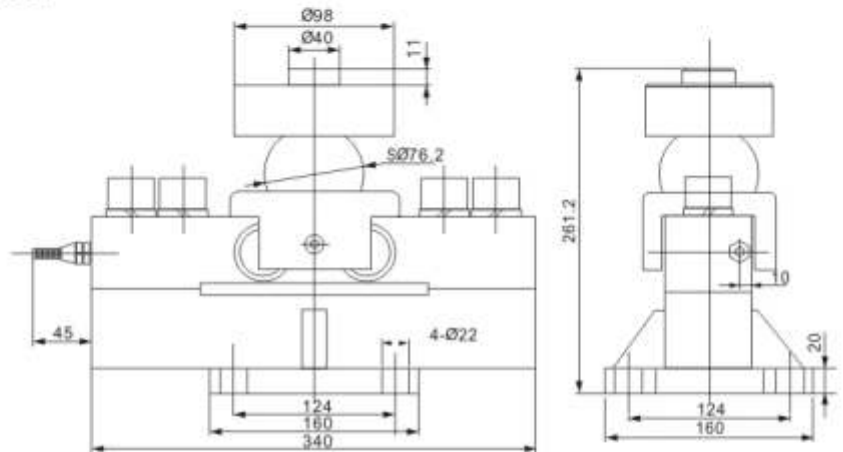
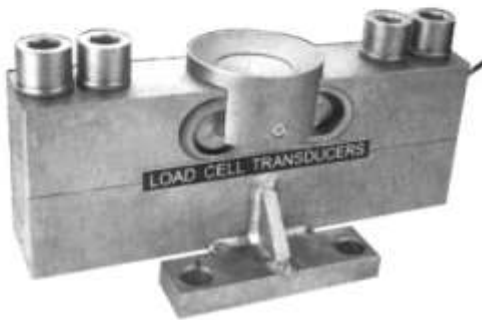


5~40t



(t) Rated Load	5	10,15,20,25,30	40
D1	68	85-88	88
D2	50.8	76.2	76.2
H	168.8	224.7	230.7
L	224	240	240

50t



Truck scale, railway scale, blending scale and special scale

TECHNICAL PARAMETER

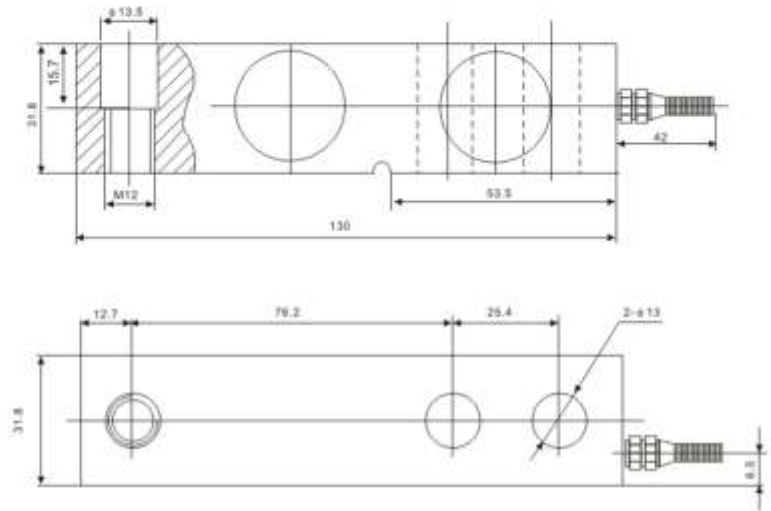
4Wires:Exc+(Red);Exc-(Black);Sig+(Green);Sig-(White)

Rated capacities(Emax)	5, 10, 15, 20, 25, 30, 40, 50t	Temperature range, compensated	-10°C~+40°C
Sensitivity	2.0±0.002mV/V	Temperature range, operating	-30~+70°C
Accuracy class	C1-C3	Maximum safe overload	150%F.S
		Ultimate overload	200%F.S
Zero balance	±1%F.S	Excitation,recommend	10-12V DC
TCO	±0.02%F.S/10°C	Excitation,maximum	15V DC
TC SPAN	±0.02%F.S/10°C	Protection class	IP68(5-50t)
Input impedance	750±10Ω	Construction	Steel Stainless Steel
Output impedance	702±3Ω, 703±5Ω(L≥15m)	Cable	Length=L:5.2m(5t),8m(10t),10m(15t),10/12m(20t); 12/15m(25t),12/16m(30t),16m(40-50t) Diameter: φ 6mm
Insulation impedance	≥5000MΩ		

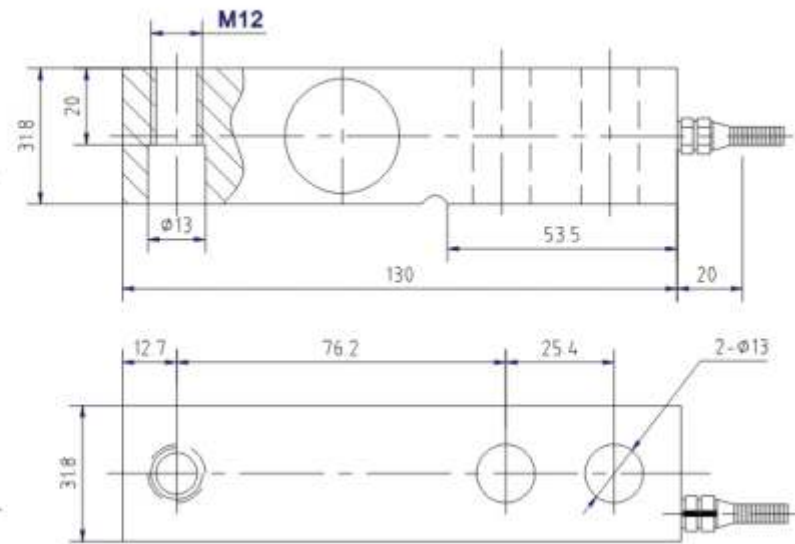


Platform scales,blending scale

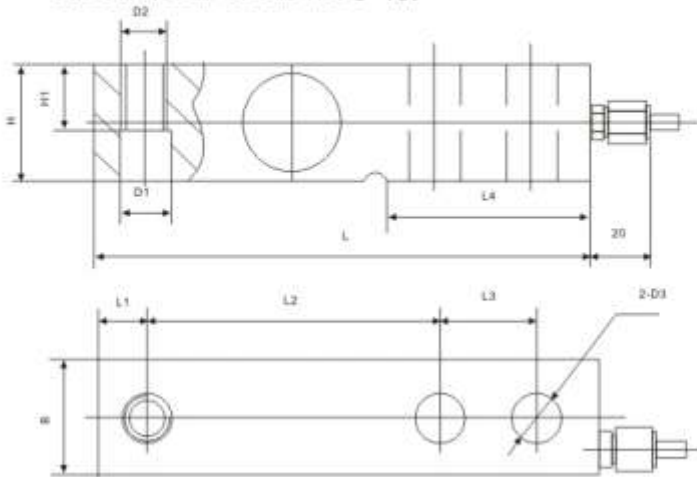
SQB/SQB-A 0.25-2.5t



SQB-SS/SQS-ASS 0.25-2.5 t



SQB/SQB-A/SQB-SS/SQB-ASS 3~10t



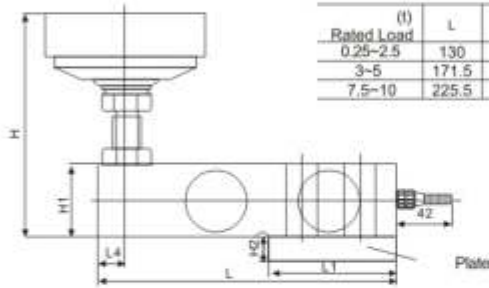
(t) Rated Load	L	L1	L2	L3	L4	H/B	H1	D1	D2	D3
3,5	171.5	19	95.3	38.1	72.5	38.1	26	φ20	M18x1.5	φ20
7.5-10	225.5	25.3	124	50.8	102	50.8	25.4	φ27	M24x2	φ27

TECHNICAL PARAMETER

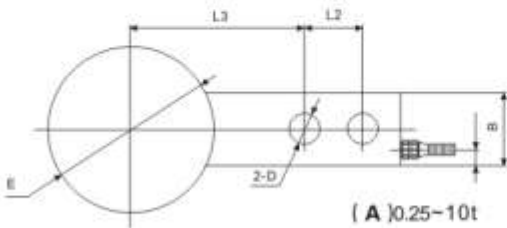
4Wires:Exc+(Red);Exc-(Black);Sig+(Green);Sig-(White)

Rated capacities(E _{max})	0.1 ~ 10t	Temperature range, compensated	-10℃~+40℃
Sensitivity	3.0±0.003mV/V(0.5-10t);2.0±0.002mV/V(0.1-0.3t)	Temperature range, operating	-30~+70℃
Accuracy class	C2~C3	Maximum safe overload	150%F.S
Zero balance	±1%F.S	Ultimate overload	180%F.S
TCO	±0.02%F.S/10℃	Excitation,recommend	10-12V DC
TC SPAN	±0.02%F.S/10℃	Excitation,maximum	15V DC
Input impedance	400±20Ω	Protection class	IP66(0.25-0.75t);IP67(1-10t)
Output impedance	352±3Ω	Construction	Alloy Steel Stainless Steel
Insulation impedance	≥5000MΩ	Cable Length:3m(0.25-2.5t),4.2m(3-5t),5m(7.5-10t)	
		Diameter: φ 5mm(0.25-5t; 0.25-0.3t); φ 6mm(7.5-10t,0.5-10t)	

SQB/-A/-SS Bottom Components/Weighing Module



(t) Rated Load	L	L1	L2	L3	L4	B	H	H1	H2	H3	D	D1	D2	D3
0.25-2.5	130	53.5	25.4	76.2	12.7	31.8	77.8	31.8	12	4	+13	+38	+12	S+16
3-5	171.5	72.5	38.1	95.3	19	38.1	94.1	38.1	10	6	+20	+50	+16	S+20
7.5-10	225.5	102	50.8	124	25.3	50.8	130	50.8	10	8	+27	+64	+20	S+32

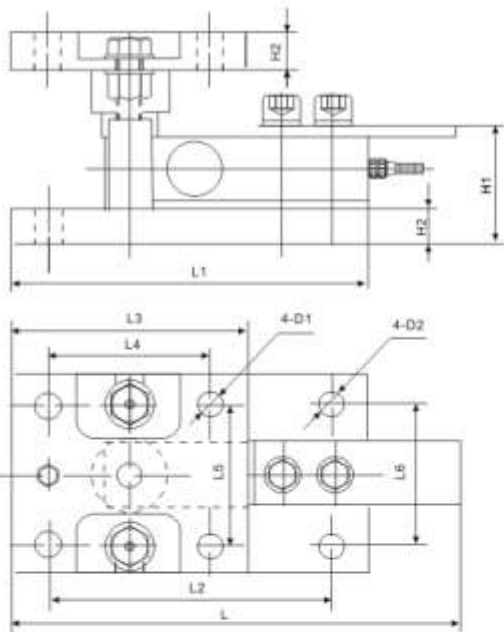
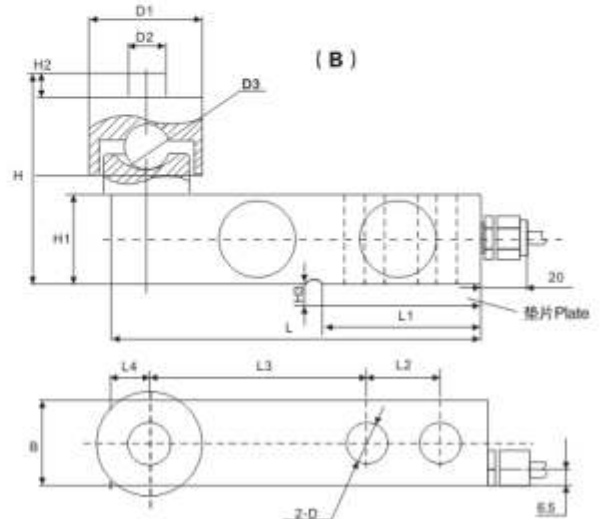


(A) 0.25-10t

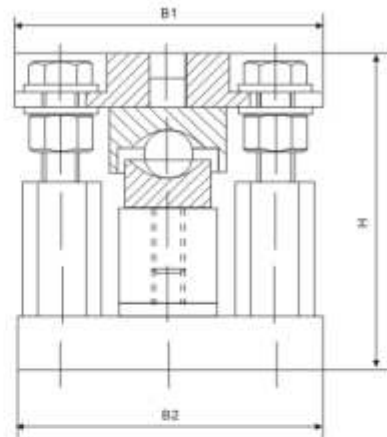
Installation A feet

(t) Rated Load	L	L1	L2	L3	L4	B	H	H1	H2	D	E
0.25-2.5	130	53.5	25.4	76.2	12.7	31.8	85-90	31.8	4	+13	+62
3-5	171.5	72.5	38.1	95.3	19	38.1	104-114	38.1	6	+20	+82
7.5-10	225.5	102	50.8	124	25.3	50.8	132-144	50.8	8	+27	+80

(B) 0.25-10t Installation B feet

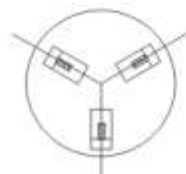


总装 (D)
Installation(D) weighing module

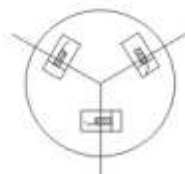


(t) Rated Load	H	H1	H2	B1	B2	D1	D2	L	L1	L2	L3	L4	L5	L6
0.25,0.5,0.75,1,1.5,2,2.5	106	58	18	100	100	+13	+13	210	175	140	116	80	70	70
3,5	135	73	23	160	160	+17	+17	270	235	200	150	100	90	90
7.5,10	186.3	93.3	28.5	180	180	+26	+26	345.2	310	250	210.4	150.4	110	110

0.25-5t
Weighing module installation



Radial mounting



Cutting mounting



Rectang mounting

